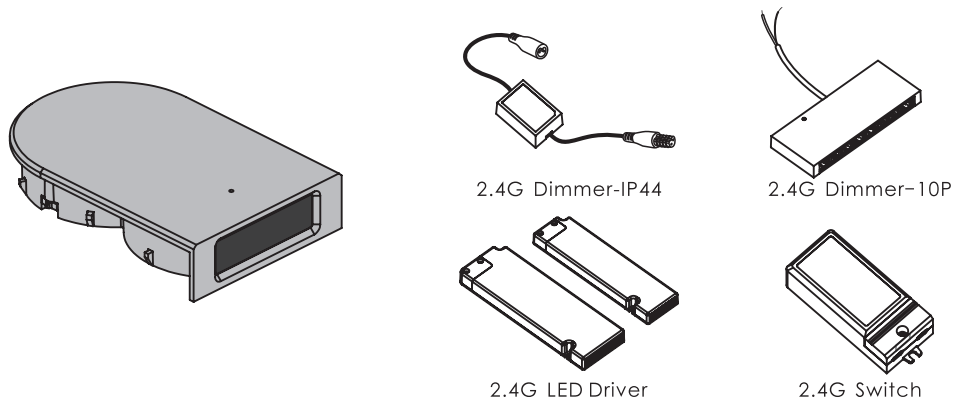


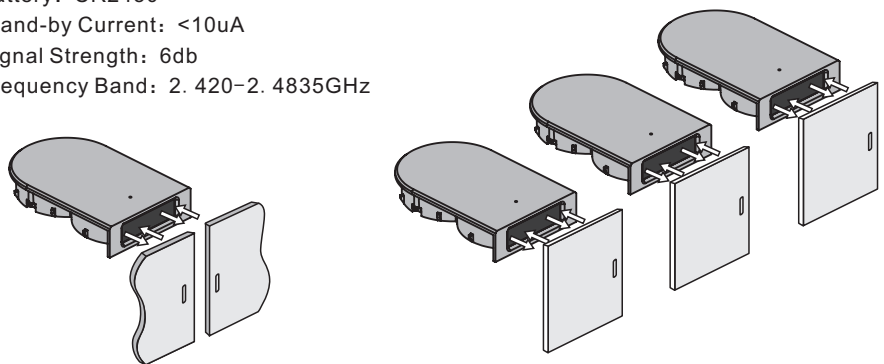
# RF2. 4G Door sensor instruction manual

This product uses 2.4G radio frequency technology, fast transmission speed, not easy to be interfered, and compatible with other 2.4G products of our company. The wireless signal is in the ISM frequency band and meets the regulatory requirements of various countries. Built-in dual probes, one sensor can detect the opening and closing status of two doors, or multiple sensors can be used in combination.



## Electrical parameters:

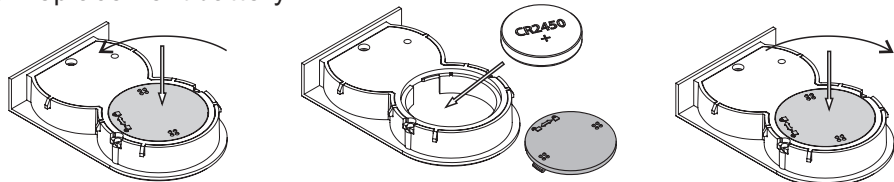
Battery: CR2450  
 Stand-by Current: <10uA  
 Signal Strength: 6db  
 Frequency Band: 2.420-2.4835GHz



Built-in dual probes, one sensor can detect the opening and closing status of two doors.

3 sensors can be used in combination. Open any door and the light will turn on. All doors must be closed for the lights to turn off.

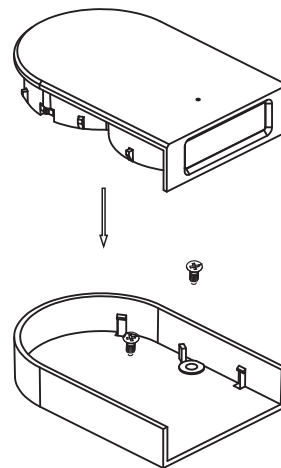
## Replacement battery:



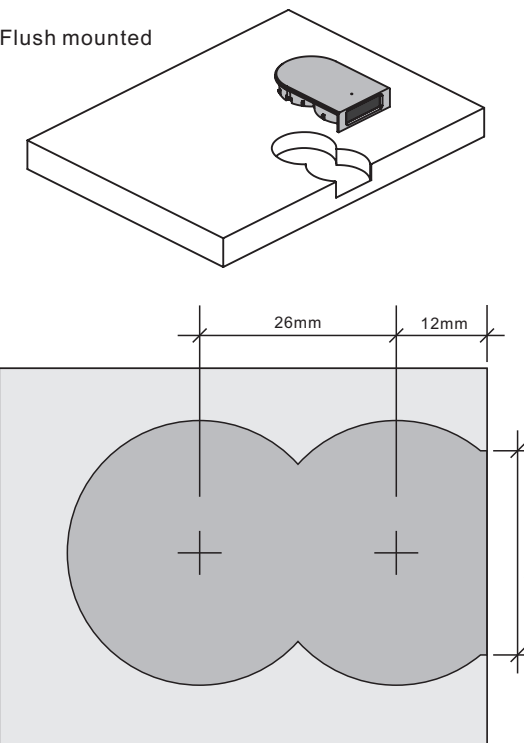
⚠ If the indicate LED is off or flashing, the battery needs to be replaced.

## Fixed:

Surface mounted



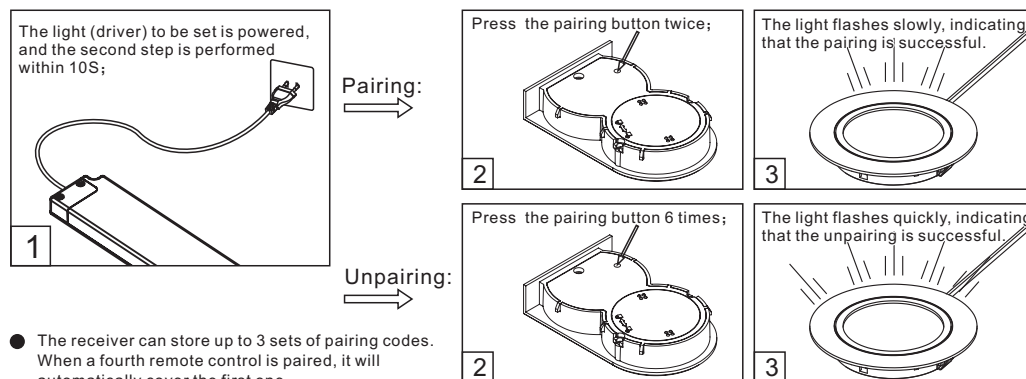
Flush mounted



Use a 35mm drill to make holes according to the size shown above.

## Pairing and unpairing:

⚠ The control box and remote-controller must be paired before the first application.



● The receiver can store up to 3 sets of pairing codes. When a fourth remote control is paired, it will automatically cover the first one.